

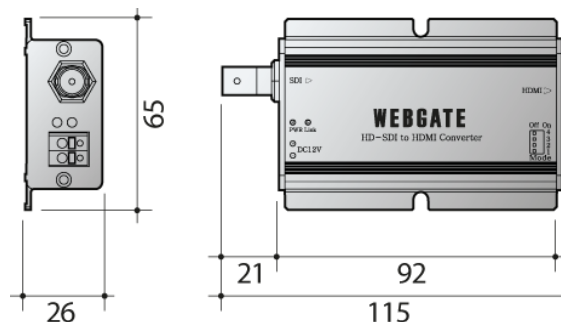


SDI2HDMI

Key Features

- The world's first HDcctv certified converter
- HD-SDI to HDMI converter
- BNC input / HDMI output
- Supports HD-SDI 1080p & 720p video format
- Supports HDMI embedded audio
- OSD for video status display
- Compatible with 50/60Hz system
- Power, Link LED indicator

Dimensions (Unit : mm)



Specifications

VIDEO INPUT

Video input standard	1CH(HD-SDI SMPTE 292M)
Resolution	SMPTE 272M(1080i60/50, 1080p30/25)
	SMPTE 296M(720p25/30/50/60)

VIDEO OUTPUT

Video output standard	1CH(HDMI)
Resolution	1080p60RB, 1080p60, 1080i60, 720p60

AUDIO

Audio output	2CH(Left, Right)
--------------	------------------

INTERFACE

Indication LED	Power LED(Red), Link LED(Green)
Mode selection switch	4 Dip switches for operation mode setting

ENVIRONMENTAL & PHYSICAL

Dimension	115(W) x 65(D) x 26(H) mm
Weight	Approx. 140g(0.3 lbs)
Operating temperature	0°C to +50°C / 20%RH to 80%RH
Input voltage	DC12V
Power consumption	Max 4W
Approval	KC, FCC, CE, RoHS, HDcctv