

HD-SDI DOME Camera

- **High Resolution**
1/3" 2.1Mega pixel SONY CMOS,
- **Support various digital video output**
1080p 30fps / 1080p 25fps,
720p 60fps / 720p 50fps
- **Video Output**
HD-SDI
CVBS
- **15 units LED & TDN (OPTION)**
- **S/N Ratio** : More than 50dB
- **Support OSD menu**
- **Input Voltage** : Dual / DC12V

CONTENTS

	PAGE
1. SPECIFICATIONS-----	5
2. ENVIRONMENT CONDITION AND TEST-----	6
3. OSD MENU STRUCTURE -----	7
4. FUNCTION SWITCH-----	9
5. APPEARANCE-----	10
6. CONNECTION-----	11
7. PACKING SPECIFICATION -----	12

1. SPECIFICATIONS

	LED Type	Standard Type	
Image Sensor	1/3" 2.1 Mega Pixel SONY CMOS		
Effective Pixels	1984(H) x 1105(V)		
Unit cell size	2.8um (H) x 2.8um (V)		
Video output mode	SDI: 1080P 30fps(25fps) / 720P 60fps(50fps) TV Out: CVBS NTSC/PAL		
Minimum Illumination	0 Lux	0.1 Lux	
Shutter speed	Auto / Manual 1/30(25), 1/60(50), 1/120(100), 1/250, 1/ 700, 1/1K, 1/1.6K, 1/2.5K, 1/5K, 1/7K, 1/10K, 1/30K		
Day/Night	True Day&Night with IGR Mechanism (AUTO/Color/BW)	-	
WDR / BLC	OFF / WDR / BLC		
AGC	0 ~ 23dB		
3 DNR	OFF / LOW / MIDDLE / HIGHT		
Digital Zoom Ratio	1x ~ 20x		
Digital Slow Shutter	OFF, x2, x3, x4, x5, x6, x7, x8		
White Balance	AUTO / PUSH LOCK / Manual		
Lens	Board Lens		
OSD	Built-in with joystick		
IR - LED	850nm, 15ea, 10m	-	
Operating Temperature	14°F~122°F(-10°C~+50°C)		
Storage Temperature	-4°F~140°F(-20°C~+60°C)		
Humidity	Less than 80%		
Power Consumption	DG	DG12V (±10%), Max. 230mA	DG12V (±10%), Max. 120mA
	DUAL	DG12V (±10%), Max. 310mA AC24V (±10%), Max. 3.5W	DG12V (±10%), Max. 160mA AC24V (±10%), Max. 2.0W
Dimension (mm)	Ø120mm x 55mm		
Weight	Approx. 350g		
IP Rating	IP 66		

Specifications and designs are subject to change for improving the functionality of this product without notice.

2) HD-SDI SIGNAL

Item	Specification
SDI OUT LEVEL	800mV ± 10%
Rising Time	< 270ps
Falling Time	< 270ps
Timing Jitter	< 1.0UI
Alignment Jitter	< 0.2UI
Overshoot Rising	< Amplitude * 10%
OverShoot Falling	< Amplitude * 10%

2. ENVIRONMENT CONDITION AND TEST

1) Operating Condition Temperature -10 ° C ~ 50 ° C
 Humidity Less than 80%

2) Storage Condition Temperature -20 ° C ~ 60 ° C
 Humidity Less than 90%

3) High Temperature storage Test
 Leaving the packed at Temperature of 60 ° C for 72 Hours, and after leaving it at Normal Temperature for 8 Hours, there should be no Problem in Performance.

4) Low Temperature storage Test
 Leaving the packed at Temperature of -20 ° C for 72 Hours, and after leaving it at Normal Temperature for 8 Hours, there should be no Problem in Performance.

3. OSD MENU STRUCTURE

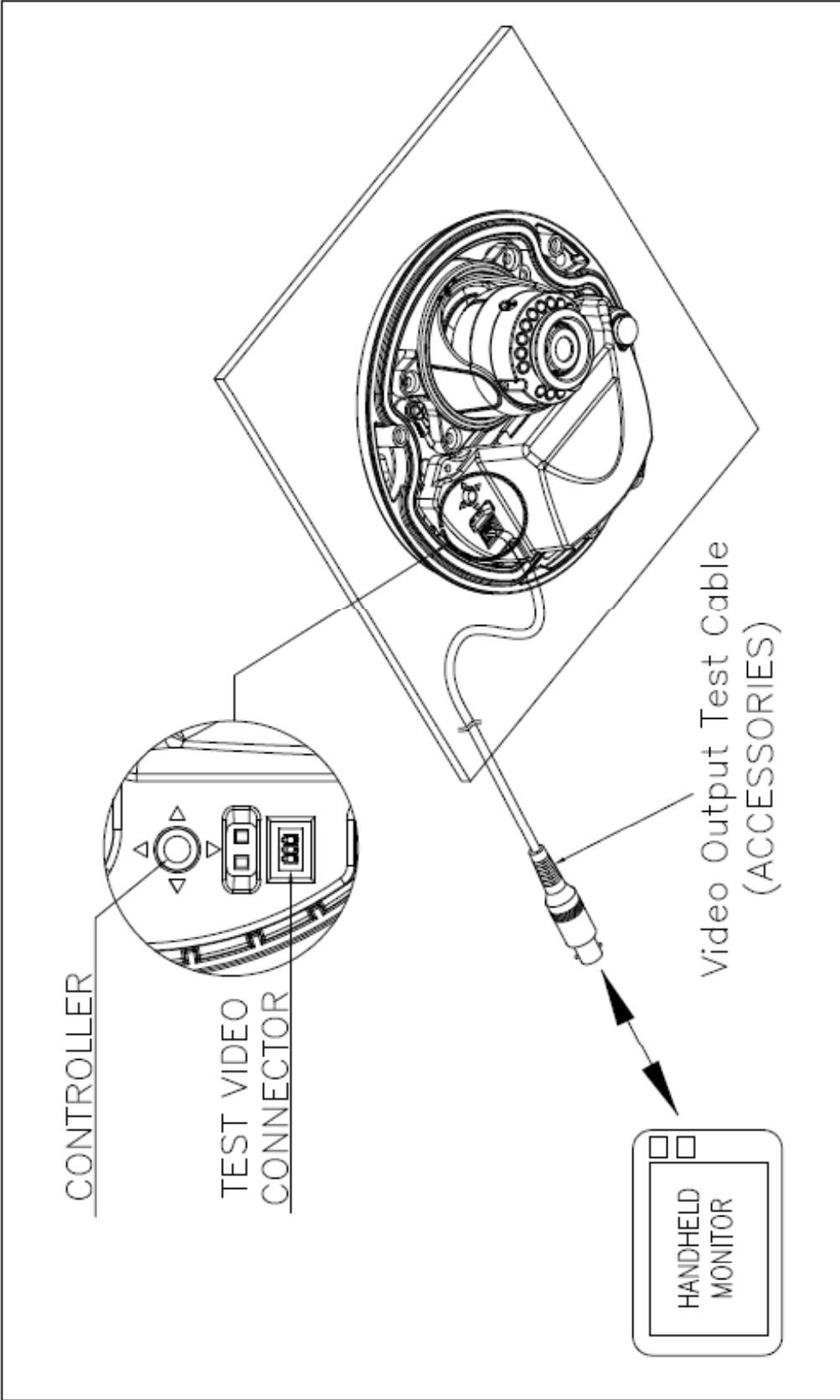
Main Menu	Sub Menu	Sub Menu		
SETUP				
EXPOSURE	BRIGHTNESS	1~20		
	SHUTTER MODE	AUTO, MANUAL		
	SHUTTER SPEED	1/30(25), 1/60(50), 1/120(100), 1/250, 1/700, 1/1K, 1/1.6K, 1/2.5K, 1/5K, 1/7K, 1/10K, 1/30K,		
	DSS	OFF, X2, X3, X4, X5, X6, X7, X8		
	AGC MAX	0dB ~ 23dB		
	INITIAL			
	RETURN			
WHITEBALANCE	WB MODE	AUTO, PUSH LOCK, MANUAL, AUTO EXT		
	CHROMA	0~20		
	KELVIN	LOW, MIDDLE, HIGH		
	RED CONTROL	0~20		
	BLUE CONTROL	0~20		
	PUSH AUTO	-		
	RETURN			
WDR/BLC	MODE	OFF, WDR, BLC		
	WDR LEVEL	0~20		
	BLC ZONE	OFF, ON		
	BLC X-POSITION	0~20		
	BLC Y-POSITION	0~20		
	BLC X-SIZE	0~20		
	BLC Y-SIZE	0~20		
	INITIAL			
	RETURN			
DAY&NIGHT (IR-LED OPTION)	D&N MODE	AUTO, COLOR, BW		
	DWELL TIME	1sec ~ 10 sec		
	DAY->NIGHT	0~15		
	NIGHT->DAY	0~15		
	IR OPTIMIZER	OFF, ON		
	IR OPT.LEVEL	0~15		
	RETURN			
DAY&NIGHT (NO LED OPTION)	D&N MODE	AUTO, COLOR, BW		
	DWELL TIME	1sec ~ 10 sec		
	AGC THRS	0~20		
	AGC MARGIN	0~20		
	RETURN			
IMAGE	SHARPNESS	1 ~ 10		
	FLIP	OFF, H-FLIP, V-FLIP, HV-FLIP		
	DZOOM	1X~20X		
	HLMASK	OFF, ON	HLMASK LEVEL	0~20
			HLMASK COLOR	WHITE, YELLOW, CYAN, GREEN, MAGENTA, RED, BLUE, BLACK
			INITIAL	
			RETURN	
	D-WDR	ON, OFF		
	DNR	OFF, LOW, MIDDLE, HIGH		
	DEFOG	ON, OFF	DEFOG MODE	AUTO, MANUAL
			DEFOG LEVEL	LOW, MIDDLE, HIGH
			INITIAL	
			RETURN	
INITIAL				
RETURN				

KPC-HLN(D)D45

8/12

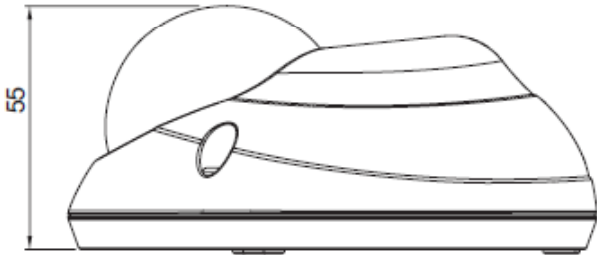
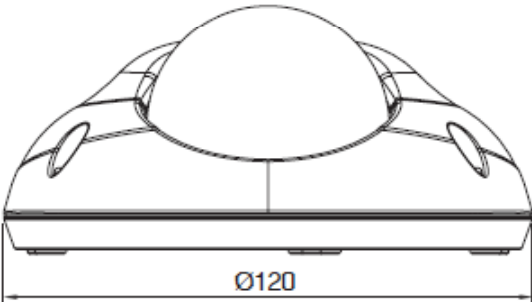
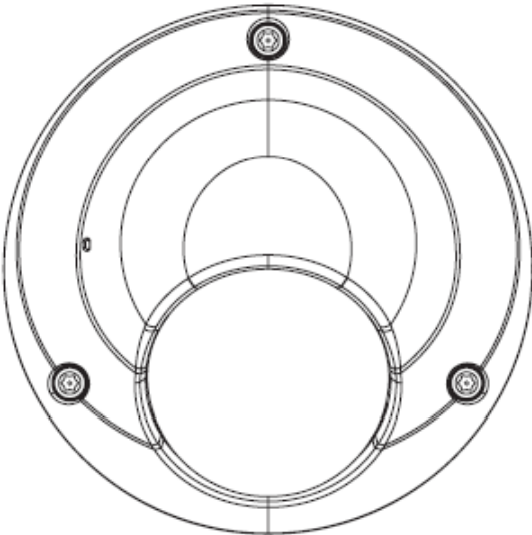
SPECIAL	CAM TITLE	CAM TITLE		
		0 1 2 3 4 5 6 7 8 9 A B C D E F G H I J K		
		L M N O P Q R S T U V W X Y Z ! - () < >		
		SPA>> <<BAK		
		LOCATION		
		RETURN		
		LANGUAGE		ENGLISH, RUSSIAN, SPANISH, GERMAN, FRENCH, PORTUGUESE, JAPANESE
	PRIVACY	OFF, ON	ZONE NO	0~15
			MASK MODE	OFF, ON
			X-POSITION	0~60
			Y-POSITION	0~40
			X-SIZE	0~40
			Y-SIZE	0~40
			COLOR	BLACK, WHITE, YELLOW, CYAN, GREEN, MAGENTA, RED, BLUE
			TRANSPARENCY	100%, 75%, 50%, 25%, 0%
			INITIAL	
			RETURN	
	MOTION DETECT	OFF, ON	RESOLUTION	0~4
			SENSITIVITY	0~20
			WINDOW USE	OFF, ON
			WINDOW TONE	1~4
			X-POSITION	0~60
			Y-POSITION	0~40
			X-SIZE	0~40
			Y-SIZE	0~40
			INITIAL	
			RETURN	
DISPLAY	CAM TITLE	OFF, ON		
	MOTION	OFF, ON		
	DZOOM	OFF, ON		
	INITIAL			
	RETURN			
SYSTEM	DEFECT DET	OFF, ON		
	DOUT FORMAT	720P, 1080P		
	DOUT FPS	50, 60 / 25, 30		
	FREQ	60Hz, 50Hz		
	CVBS	NTSC, PAL		
	APPLY			
	RETURN			
INITIAL				
RETURN				
FACTORY DEFAULT				
EXIT				

4. FUNCTION SWITCH



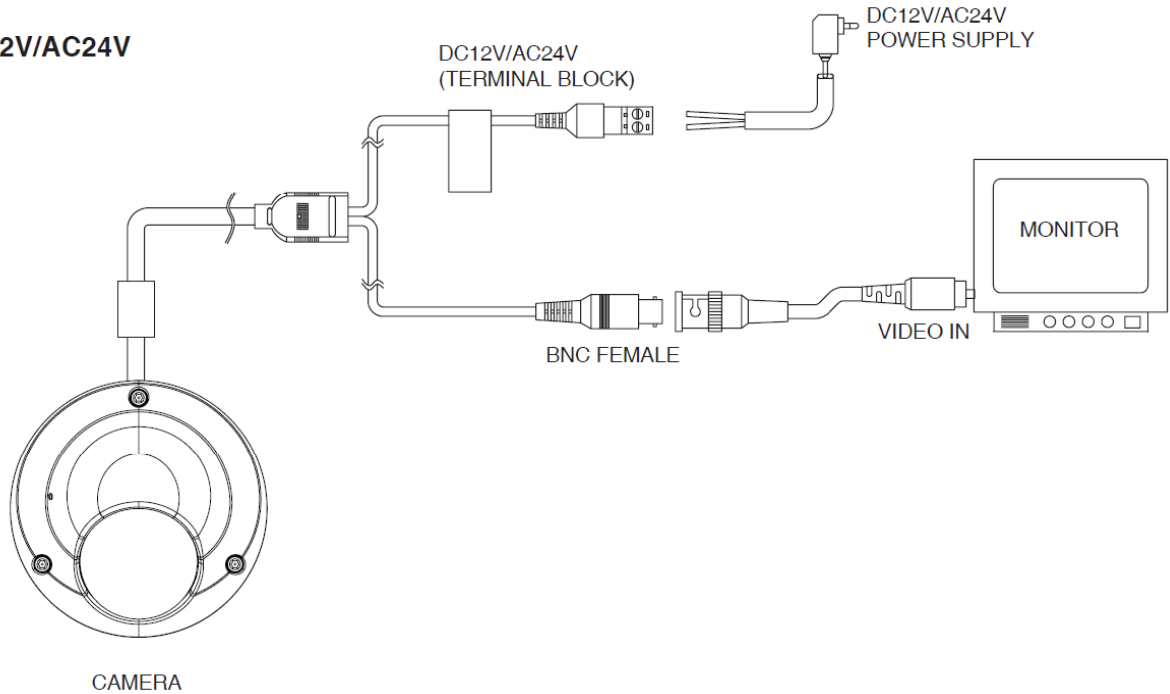
5. APPEARANCE

Unit(mm)

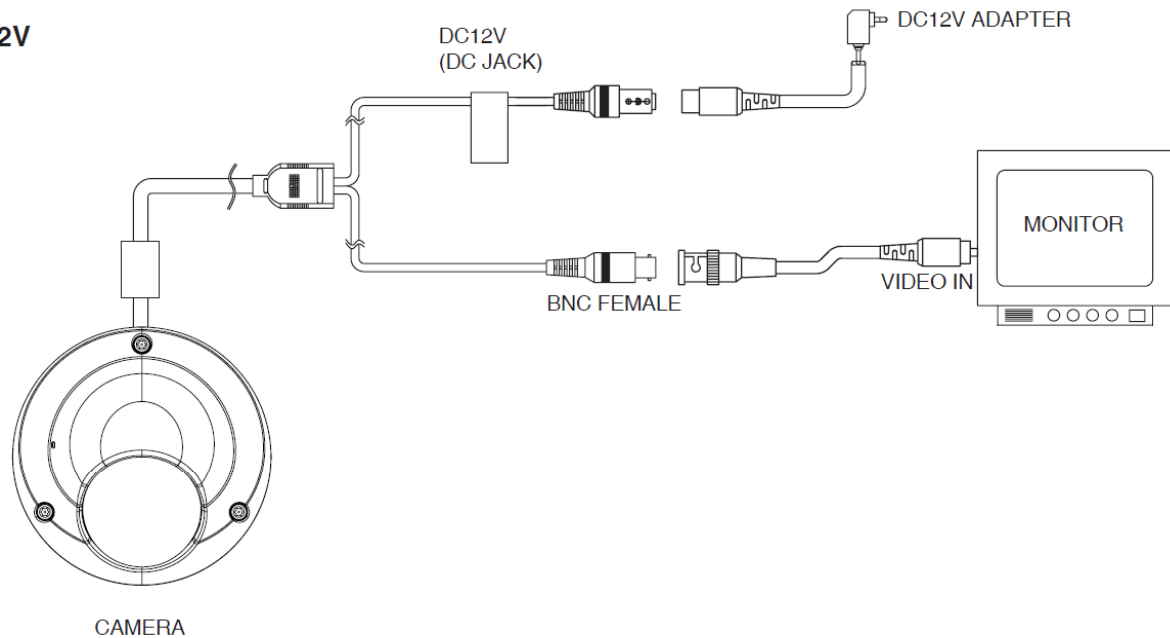


6. CONNECTION

- DC12V/AC24V



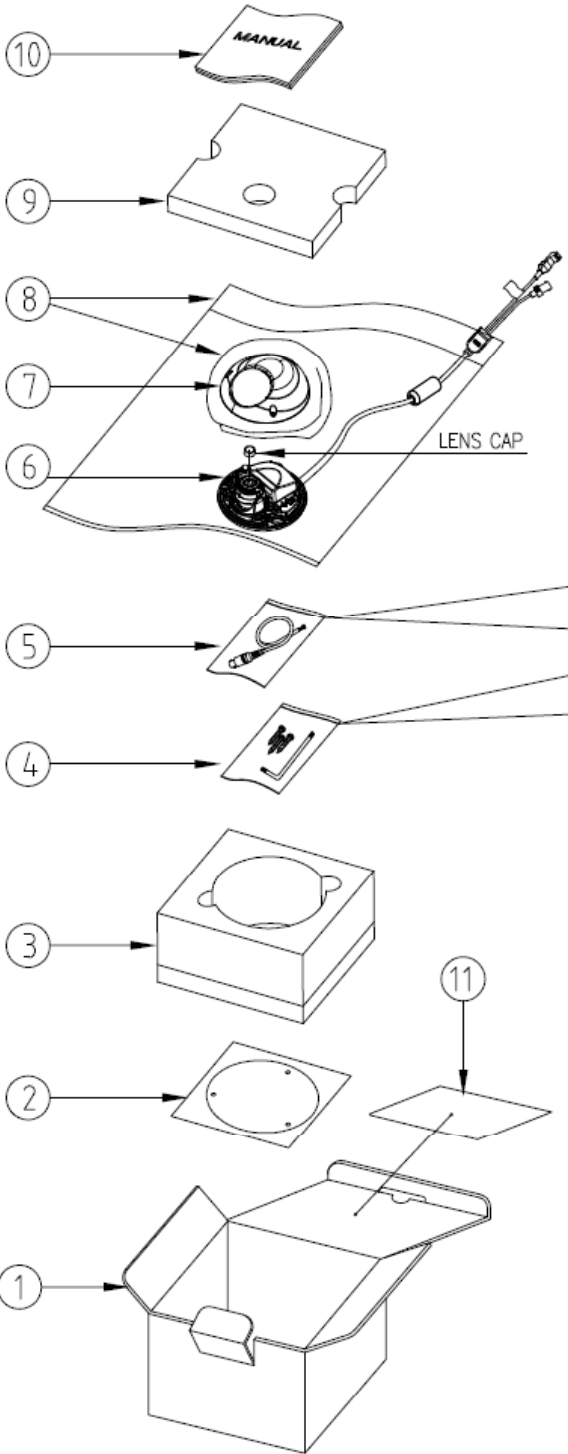
- DC12V



! When you install the camera, please glue up the end of cable to keep it stable in order to protect the camera from the humidity problems.

7. PACKING SPECIFICATION

KPC-HLD45 포장사양서



품번	품명	재질 및 규격	수량
a	BAG	ZIPPER 80*90 (CABLE) 인쇄	2
b	CABLE	3P*1.25P BNC 250MM (WHITE)	1
c	SCREW	TAPPING TYPE-1종 4*20 PH BLK	3
d	L-WRENCH	별첨 L-렌치 T-20	1

NO	DESCRIPTION	REMARKS
11	LABEL	
10	MANUAL	
9	PE FOAM-TOP	
8	BAG(PE 발포)	
7	CAMERA-TOP SUB ASS`Y	
6	CAMERA-BOTTOM SUB ASS`Y	
5	CABLE(2nd VIDEO)	
4	L-WRENCH/SCREW	
3	PE FOAM-BOTTOM	
2	LABEL MOUNT GUIDE	
1	UNIT BOX	