

Over Coax - Digital & Analogue Multi-format Bullet Camera

L1080BS-IR24-AF

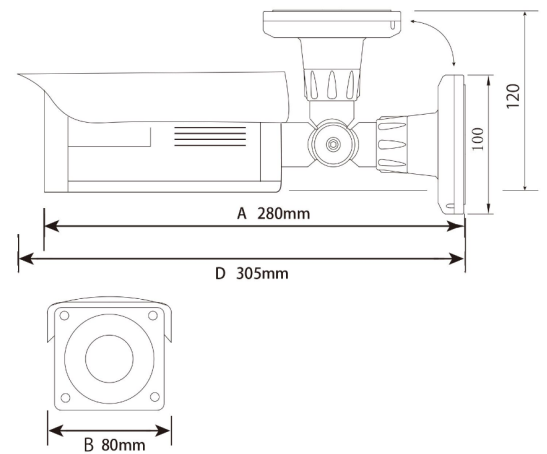
2M FHD | 2nd Gen SONY STARVIS | Digital - SDI | Analogue - AHD, TVI, CVI, CVBS



Key Features

- 2.1 Megapixel 2nd Gen Sony (IMX327) STARVIS Image Sensor, Class Leading Performance - Colour in super lowlight.
- Multi-format over coax cable - Digital & Analogue Output - The one camera for all coax cable applications.
- Digital Output Format : HD-SD, EX-SDi v1, EX-SDi v2.
- Analogue Output Format : AHD, TVI, CVI, CVBS.
- Digital signal up to 600m over Coax, with noise tolerant EX-SDi v2.
- Fully Motorised, Starlight 2.7mm~10mm Megapixel AF Lens.
- Auto Focus, with Zoom & Focus Control.
- ACE image enhancement.
- Back Light Compensation (WDR / BLC / HLC).
- True Day&Night (ICR).
- Internal IR LED illumination: 24 pcs
- Versatile Mount - Optional J-Box and Pole Mount.
- External Video Test Point and Menu Control.
- IP67 Level Protection against Dust and Water.
- 12VDC and 24VAC operation.

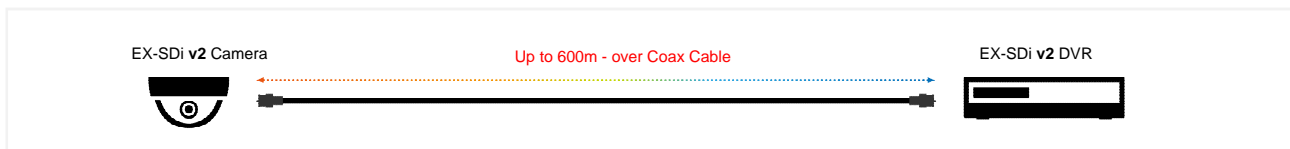
Dimension



Tech Note

Long Distance Digital Signal over Cable Solution

Digital EX-SDi **v2.0**: Up to 600m (without repeater) over Coax Cable. **v2.0** provides far superior noise immunity, to help with poor cabling installations.



The one Camera for all Coax cable applications

Multi-format Output - High quality HD Digital SDi, with no deterioration over distance - Legacy and New forms of HD Analogue, to match existing. "Only need to carry the one camera for all Coax installations"

SONY STARVIS Image Sensor - Low light in Colour

Highly sensitive 2nd Gen SONY STARVIS CMOS Sensor provides crystal clear image in low light condition.

High Quality

Different league from low priced Chinese products. Proven quality, NDAA compliant Korean and Japanese componentry.

Over Coax - Digital & Analogue Multi-format Bullet Camera

L1080BS-IR24-AF

| | | |
|--------------------------|--|--|
| Sensor Type | | 1/2.8" 2.1 Megapixel SONY (IMX327) 2 nd Gen STARVIS CMOS Sensor |
| Output Pixels | | 1920 x 1080 (2M pixels) Scanning |
| System | | Progressive Scan |
| Lens | Filter | True Day & Night (ICR) |
| | Type | 2.7~10mm, Starlight (f1.2), Motorised Auto-focus LENS |
| Video | Output | 1 (BNC 1.0 Vp-p, 75Ω) |
| | Resolution | 1080p 30,25 Format |
| | | Digital : EX-SDi v1.2, EX-SDi v2.0 / Analogue : AHD, TVI, CVI, CVBS |
| Video Control | AGC | LEVEL 0~10 |
| | S/N Ratio | More than 52dB |
| | BLC | OFF / HLC / BLC / WDR |
| | ACE | OFF / LOW / MIDDLE / HIGH |
| | Min. Illumination | BW: 0.0005Lux@50IRE, 3100K, DSS(OFF), AGC(10) |
| | | Colour: 0.002Lux@50IRE, 3100K, DSS(OFF), AGC(10) |
| | DNR | OFF / LOW / MIDDLE / HIGH |
| | Iris Adjustment | ELC / ALC |
| | Auto Focus | Auto/ Scan-Half-Full / One Push / Sync D-N / On Power Up |
| | Exposure | Brightness (20 Steps) / Shutter (Auto, Manual, Flicker) / Sens-up (Off, x2-x32) / AGC (10 Steps) |
| | OSD Language | Default - ENG |
| | Day&Night | COLOR / BW / EXTERN / AUTO |
| | Colour | AWB (Auto, Autoext, Preset, Manual) / Gain (20 Steps) |
| | Image | Sharpness (10 Steps) / Gamma / Defog |
| | Privacy | Zone / Zone Disp / H-Pos / V-Pos / H-Size / V-Size / Y-Level CB Level / CR Level / Trans |
| Digital Effect | Flip / Mirror | |
| System | Frame Rate / Freq / Com / Language / Title / Output Menu | |
| OSD Control | | OSD Toggle |
| Input Voltage | | DC 12V / AC 24V |
| Power Consumption | | IR OFF : 3W (MAX) / IR ON : 5.5W (MAX) |
| Operation Temp./Humidity | | -10°C ~ +50°C / MAX 90% RH |
| Storage Temp./Humidity | | -20°C ~ +60°C / MAX 90% RH |
| Certification | | KC, FCC, CE |