

INDOOR/OUTDOOR BULLET CAMERA

EX-SDI/HD-SDI / AHD / TVI / CVI / CVBS Switchable.

L1080BS-IR24-AF

User Manual



Welcome

Thank you for purchasing our Global CCTV Camera.

Please read this instruction manual carefully before you use this product.

Please keep this user's manual well for future reference.

Important Safeguards and Warnings

1. Electrical safety and Environment

All installation and operation should conform to your local electrical safety codes.

Its input voltage current polarity and operation temperature must match the camera's requirement.

We assume no liability or responsibility for any fires or electrical shock caused by improper handling or installation

2. Transportation Security

Heavy stress, violent vibrations, or moisture is to be avoided during transportation, storage, and installation.

3. Installation

Before the installation, please make sure the installation surface can sustain at least 3x the weight of the bracket and the camera.

Do not apply power to the camera before completing installation. Please install the proper power cut-off device during the installation connection.

Always follow the instruction guide and the manufacturer's recommendations.

Important Safeguards and Warnings

4. Qualified engineers needed

All the examination and repair work should be done by the qualified service engineers.

We are not liable for any problems caused by unauthorized modifications or attempted repair.

5. Environment

This series camera should be installed in a cool, dry place away from direct sunlight or strong light, flammable materials, explosive substances, etc.

This camera should be operated within the specified working temperature. Please keep it away from the electromagnetic radiating objects and environments.

Please keep the camera well ventilated.

Do not allow the water and other liquids into the camera.

6. Accessories

Be sure to use only the accessories recommended by manufacturer.

Before installation, please open the package and check all the components are included.

Contact your local retailer ASAP, if something is broken in your package.

7. Maintenance

Please shut down the device and then unplug the power cable before you begin maintenance work. Use a soft cloth to clean the device.

If there is too much dust. Please use the water with diluted mild detergent first with clean soft cloth. Finally use the dry soft cloth.

1 General Introduction

1.1 Overview

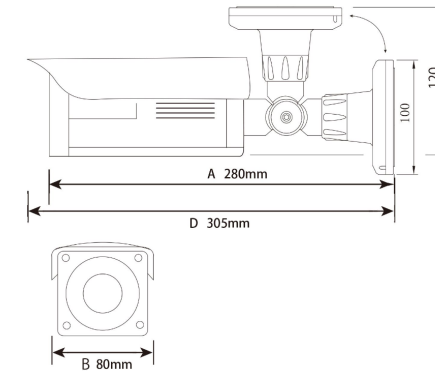
This megapixel HD camera conforms to the HD-SDI/EX-SDI 1.0, 2.0 standard.

Specifications

Model NO	L1080BS-IR24-AF
Image Sensor	1/2.8" Sony IMX327
DSP	EN771T
Resolution	2.1MP (1080P)
Min. Illumination	0.0005Lux (B&W, IR-Off), 0.002Lux (Colour)
Effective Pixels	1980x1080
Scanning System	Progressive
Sync System	Internal
Lens	2MP 2.7-10mm f1.2 Motorized Lens
IR Distance	Max 20M, 24pcs Φ5 LEDs
Video Output	HD-SDI / EX-SDI / CVBS
Electronic Shutter	1/25s~1/100,000s
Real WDR	OFF / LOW / MIDDLE / HIGH
3D-DNR	OFF / LOW / MIDDLE / HIGH
Sense up	X2-X32
COLOR	AWB / COLOR GAIN
HLC/BLC	OFF / ON
Day/Night	AUTO / COLOR / B&W / EXTERN
Power Supply	DC 12V/AC 24V ±15%
Operation Temperature	-10℃ ~ +55℃
Dimension	280x100x120mm
Weight(net)	1.2Kg

2 Dimensions

2.1 Camera Dimension (Unit: mm)



3 Packing Contents

Picture	Name	QTY
	Camera	1
	Wall Plugs	4
	Fixing Screws	4
	User Manual	1
	L Wrench	1

4 Installation

4.1 Installation Steps

- Use the included mounting template to mark and drill holes.
- Feed the camera cable through the camera base and connect the video and power cables.
- Fix the base and bracket with mount screws (or together with the drywall plugs, if needed) on to the surface.
- Release the locking ring on the bracket, adjust horizontal view angle and fasten again. Do not release the ring completely.
- Release the hexagonal screw on the bracket hinge, adjust vertical view angle and fasten again. Do not release the screw completely.

5 Lens Adjustment

5.1 Lens Adjust

The camera support autofocus function. Angle of view and manual focus adjustment is set up directly via OSD Menu Toggle button is on camera cable. CVBS output is yellow BNC. Zoom is Up/Down, Focus is Left/Right.

6 OSD Menu

6.1 Menu OSD. Menu Toggle Button on camera cable.

MENU	
IRIS	ELC / ALC
2-MOTOR	AF MODE / SCANNING / ONEPUSH / SYNC TDN / INITIAL / RETURN
EXPOSURE	BIRGHTNESS / SHUTTER / SENS-UP / AGC / RETURN
BACK LIGHT	OFF / HLC / BLC / WDR
DAY&NIGHT	AUTO / COLOR / B&W / EXTERN
COLOR	AWB / COLOR GAIN
DNR	OFF / LOW / MIDDLE / HIGH
IMAGE	SHARPNESS / GAMMA / MIRROR / FLIP / ACE / DEFOG / PRIVACY / RETURN
MOTION	DET WINDOW / DET TONE / MDRECT FILL / SENSITIVITY / MOTION OSD / TEXT ALARM / SIGNAL OUT / RETURN
SYSTEM	FRAME RATE / FREQ / COM. / IMAGE RANGE / COLOR SPACE / COLOR BAR / LANGUAGE / CAM TITLE / RESET / RETURN
Hidden Menu SETUP	OUTPUT > HD-SDI / EX-SDI v1.0 / v2.1 / ANALOG
EXIT	SAVE / EXIT

Note: To enter Hidden SETUP menu, move OSD cursor with selection toggle to 'SYSTEM' menu heading (do not push to select at this time), then two left clicks with OSD selection toggle, two right clicks, then push select button to enter hidden SETUP menu.

* Default Digital Video Output (green BNC): EX-SDI v1.0

* Default Analogue Output (yellow BNC): CVBS