

Network Bullet Camera

L2160NBS-IR30-AF

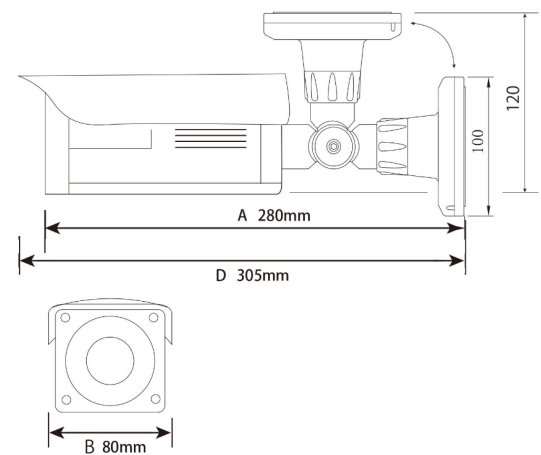


4K SONY STARVIS | Analytics (AI) | ONVIF | PoE | 4x Zoom Auto-focus Lens

Key Features

- 1/2.8", 8M Sony IMX415 3rd Gen STARVIS Image Sensor.
- Supports 2 H.264/265/MJPEG streams including, 4K 15fps, 6MP 30fps, 5MP 30fps, 4MP 30fps, 2MP 30fps.
- Up to 6 streams connection simultaneously
- AI - Advanced Analytical Detection, Counting, Tracking
- 3DNR (Noise reduction)
- Multi-zone Motion Detection
- True Day&Night (ICR)
- 2.7-10mm 4x Motorised Zoom Lens
- Full and Semi Auto focus, zoom/focus control
- Supports ONVIF / PoE
- Web Browser, IOS and Android App Remote Access
- IP67 Level Protection against Dust and Water
- Internal IR LED : 24pcs

Dimension



Tech Note

SONY STARVIS Image Sensor

Highly sensitive SONY STARVIS IMX415 CMOS Sensor, with class leading 4K (8MP) low light performance in colour.

Higher performance SoC

High performance ISP functions such as 3DNR, WDR, and etc. Revolutionary response speed and stabilized performance.

AI - Advanced Analytics

Person Counting/Detection/Wandering, Object Left, Object Loss, Perimeter Protection/Detection.

3D-DNR 3D-Digital Noise Reduction

Advanced 3D-DNR technology detects and eliminates unnecessary noise by conducting comprehensive analysis of image pixels.

WDR Wide Dynamic Range

Realize one clear image by combining overexposed and underexposed identical images in backlight condition.

AUTO Focus Zoom Lens

Manual-Focus, Semi Auto-Focus, One Touch Auto-Focus, Full Auto-Focus. Motorised 5x Zoom.

Network Bullet Camera

L2160NBS-IR24-AF

CAMERA		
Sensor Type	1/2.8", 8.6 Megapixel Sony (IMX415)	
Sensor Pixels	3864(H) x 2176(V) = 8.4M active pixels	
Scanning System	Progressive Scan	
Min. Illumination	Colour	0.008Lux @F1.2
	B/W	0.001Lux @F1.2
Lens	Filter	True Day & Night (ICR)
	Type	2-Motor / DC Auto Iris / 2.7~10mm / F1.2 / IR Corrective Mega Pixel
Camera Functions	Day & Night	AUTO / COLOR / BW / EXTERN
	WDR	ON / OFF
	BLC	ON / OFF
	HCL	ON / OFF
	AGC	0~10
	ACE	TBD
	DNR	2D / 3D (0-100 slider adjust)
	Analytics (AI)	Multi-Zone Person Counting/Detection/Tracking/Wandering, Object Left, Object Loss, Perimeter Detection
	Output Mode	STANDARD / BRIGHT / VIVID / GENTLE / CUSTOM
	Mirror	Horizontal / Vertical / Vertical & Horizontal
	White Balance	AUTO / Outdoor / Indoor / Florescent Lamp / Manual
	Electric shutter	AUTO/ MANUAL (1/2~1/50000 / 21steps, with low threshold setting in Auto for Anti-Blur) Privacy
	ON / OFF (Multi-zone)	
	Motion Detection	ON / OFF (Multi-zone)
IR LED	24PCS (IR Distance 30m)	
VIDEO		
Compression Type	H265 / H.264 / MJPEG	
Resolution	1st : 3840x2160, 3072x2048, 2592x1944, 2592x1520, 1920x1080, 1280x960, 1280x720	
Bitrate	2nd : 704x576, 640x480, 640x360, 352x288	
Frame Rate	256Kbps ~ 16Mbps	
	50Hz: 15fps@ 8MP(3840x2160), 25fps@6MP/5MP/4MP/3MP/2MP/1.3MP/1MP	
	60Hz: 15fps@ 8MP(3840x2160), 30fps@6MP/5MP/4MP/3MP/2MP/1.3MP/1MP	
OSD	Configurable : Size / Colour /Location	
NETWORK & SOFTWARE		
Network & Software	Interface	1 Fast Ethernet RJ-45 port (10/100Mbps)
	Network Type	Fixed IP, DHCP
	DDNS	Supported
	Port	HTTP : 80 / HTTPS : 443 / RTSP : 554 / Service : 6000 / FLASH : 1935 (all configurable)
	Protocol	HTTP, HTTPS, RTSP/RTP, ONVIF, TCP/IP, UDP, FTP, PPPoE, NTP, ARP, ICMP, DHCP, UPnP, SNMP v1/v2/v3
	ONVIF	Support (v2.6)
	Simultaneous Users	Max. 6 users
	DST	TBD
	NTP	Support
	IP Address Filtering	TBD
	Web Browser	IE, Chrome, Safari, Firefox, Edge, Mac OS
	P2P	Supported for iOS, Android App
	Web Configuration	IE, Chrome, Safari, Firefox, Edge, Mac OS
	NVR	NVRs supporting ONVIF, HIKVISION, RAYSHARP, Dahua
	PC CMS Software	Control Center (via Webgate DVR/NVR)
Relay Server	WinRDS	
ENVIRONMENTAL & PHYSICAL		
Power Source	DC 12V ± 10%, IEEE802.3af PoE(36V~57V)	
Power Consumption	8W (MAX)	
Operating Temperature	-10°C ~ 55°C	
Humidity	0% RH ~ 90% RH	
Dimensions	305(L), 100(H), 80(W) (with Bracket in Wall Mount configuration)	