

# UNIVERSAL 4M DVR

# UHD1608F-U



UNIVERSAL | Analog | Digital | IP | 4M QHD | 4K UHD | TDM RX

## Key Features

- Support all video format
- Support Max. 16ch(2M/4M), 8ch(4K)
- Support TDM Video
- 4K UHD(HDMI) output
- 6 Internal SATA HDDs
- External storage capacity 128TB(eSATA), 384TB(UNS04R)
- Real Time Streaming(RTSP)
- Service channel, Remote DVR
- VMS(Control Center), Mobile App, HTML5

## Dimension

(445×418×88mm)



## Tech Note

### UNIVERSAL Support all kinds of existing video formats

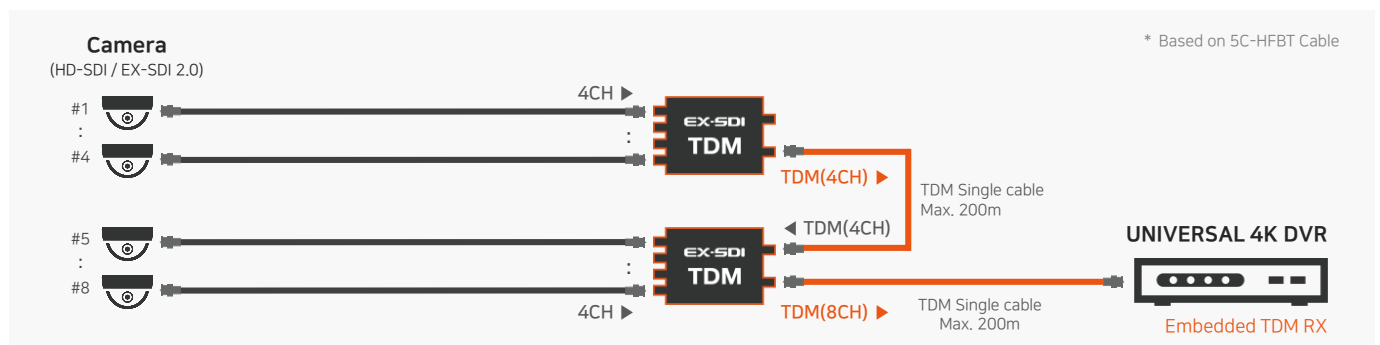
From SD to UHD, including IPC, the Universal DVR support all kinds of video formats  
The Universal DVR is the optimum solution for any site, any camera

### 4K UHD More Vivid & Sharper with Ultra High Definition

4K UHD is perfect for large area coverage and identifying objects at great distances  
DVR supports 4M QHD (2x greater than Full-HD) and 4K UHD (4x greater than Full-HD) recording

### TDM(Time Division Multiplexer) Transmit 8ch through single cable

Embedded TDM RX(EX-SDI) receives max 8ch video with single cable



## UNIVERSAL 4M DVR

### UHD1608F-U



#### VIDEO INPUT

Video input Format	BNC	HD-SDI, EX-SDI(V1.0, V2.0, V2.1), TDM AHD, TVI, CVBS(960H, SD)
	IP(Ethernet)	WESP, Onvif Profile S
Resolution / Frame Rate	HD-SDI EX-SDI 1.0 EX-SDI 2.0 EX-SDI 2.1	1920×1080@30fps, 1920×1080@25fps 2560×1440@30fps, 2560×1440@25fps 3840×2160@30fps, 3840×2160@25fps
	EX-SDI TDM	1920×1080@30fps, 1920×1080@25fps
	AHD	1920×1080@30fps, 1920×1080@25fps 2560×1440@30fps, 2560×1440@25fps 3840×2160@15fps, 3840×2160@12fps
	TVI	1920×1080@30fps, 1920×1080@25fps 2560×1440@30fps, 2560×1440@25fps 3840×2160@15fps, 3840×2160@12fps
	CVBS(960H)	960×480@60i, 720×480@60i 960×576@50i, 720×576@50i
Connectors	16ch, 75Ω BNC connector	
CoC	Control over Coax@AHD,TVI,All SDI	

#### VIDEO OUTPUT

Video output	Resolution	HDMI : 3840×2160, 1920×1080 VGA : 1920×1080, 1280×1024, 1024×768 800×600 BNC(SDI) : 1920×1080 BNC(CVBS) : 720×480, 720×576
	Mode	HDMI/VGA Main + CVBS Spot HDMI/SDI Main + CVBS Spot HDMI Main + VGA Spot + CVBS Spot HDMI Main + SDI Spot + CVBS Spot
	BNC(CVBS)	1, 4, 9, 16 split-screen, Switching
	BNC(SDI)	Main : Same as HDMI output Spot : 1, 4, 9, 16 split-screen, Switching Format : HD-SDI, EX-SDI, EX-SDI 2.0

#### RECORDING

Compression	H.264 / JPEG
Resolution	3840×2160, 2560×1440, 1920×1080, 960×480
Rate	Max. 480fps@1920×1080, Max. 480fps@2560×1440 Max. 240fps@3840×2160
Quality	10 levels up to 12Mbps@2M, 12Mbps@4M, 16Mbps@8M(4K)
Mode	Normal/Event Record, Schedule/Event Record, Emergency Record
Schedule	24hrs / 7days

#### PLAYBACK

Mode	Instant Playback / Search
Speed	Max. 480fps@1920×1080 Max. 240fps@2560×1440 Max. 120fps@3840×2160
Search type	Date/Time, Calendar/Time-line, Event, Thumbnail(Interval/Motion), Text, Bookmark
Block playback	1day ~ 99days

#### EVENT & ALARM

Event source	MD(Motion Detection), Sensor, Text, Video Loss
Event check Schedule	24hrs / 7days
Event action	Relay, Buzzer, E-mail, FTP, Video pop-up, Camera Preset, Mobile Alarm Push
MD area	15×10
Text input	POS/ATM support, AVE VSI Pro/Hydra support

#### SYSTEM ALARM

Alarm source	HDD fail, HDD almost full, Password fail, WRS fail, Record Fail
Alarm action	Warning message, Buzzer, E-mail, Relay, Mobile Alarm Push

#### AUDIO

Input/output	4 RCA input / HDMI & RCA output
Compression	ADPCM (32Kbps, 8KHz, 16bit sampling)
Direction	Both

#### PTZ

Protocols	HIK-C, AHD, C1080(D1080), C1080PT-Z20, Pelco-D, Pelco-P, Samsung, Panasonic and others
-----------	---

#### NETWORK

Interface	1 Gigabit Ethernet (10/100/1000Mbps)
Type	Static IP, Dynamic IP, xDSL
DDNS	WNS, DynDNS, NoIP, WRS
Bandwidth limit	0.01 ~ 100Mbps, unlimited
NTP	Server / Client / Both
Users	10 Monitoring, 4 Playback
RTSP	Supported
UPnP	UPnP auto port forwarding
Streaming	H.264 stream, High resolution
	1 additional H.264 stream, Normal resolution 1 JPEG stream, Normal resolution
Service Streaming	Service Channel or Remote DVR

#### SECURITY

User level	1 admin, 10 users
User privilege	Menu, PTZ, Relay, Playback, Power, Copy, Network MIC
IP filtering	Supported

#### STORAGE & BACKUP

Storage devices	6 internal SATA HDDs, 1 external eSATA Interface, Gigabit network for NS04R
RAID Level	External storage including NS04R(Level 1/5/10)
File system	Proprietary file system, Data-loss protection against power-failure
Capacity	Max. 128TB with eSATA, Max. 384TB with cascaded UNS04R 12TB HDD Supported
Backup type	Multi-channel exe file, Single channel avi file, JPEG(Capture)
Backup device	3 USB 2.0 drive (2 front, 1 rear)
S.M.A.R.T.	Temperature and Health checking

#### SERIAL & I/O

Serial port	2 RS-485
Sensor input	16 Dry-contacts
Relay output	2 Relays

#### CONTROLLER

Device	IR remote controller, Joystick Keyboard, Mouse
--------	--

#### SOFTWARE

HTML5 Webviewer	Monitoring / Event / PTZ / Playback for browser supporting HTML5
WebViewer	Monitoring / Event / PTZ / Playback for IE
Mobile App	Monitoring / Playback / Alarm Push / PTZ / Audio / Log View with iPhone & Android
CMS	Control Center, Max. 1024 units
SDK	ActiveX(COM) SDK

#### ENVIRONMENTAL & PHYSICAL

Dimension	445(W) × 418(D) × 88(H) mm
Weight	TBD
Operating Temperature	5°C~45°C (41°F ~ 113°F)
Operating Humidity	80% below, free of condensation
Power	AC free volt (100~240VAC), 50/60Hz
Power Consumption	TBD
Approval	KC, FCC, CE, RoHS